

TECHNOLOGICAL CONTAINER / LIGHT



Masterful solution with a light design

This container from the "Light" series has been developed specifically for buildings with an insufficient load capacity of the roof or other insufficient supporting structures.

The container is made of aluminium profiles and shaped aluminium sheet. Due to the light weight of the materials used, the container too, is also a light structure.

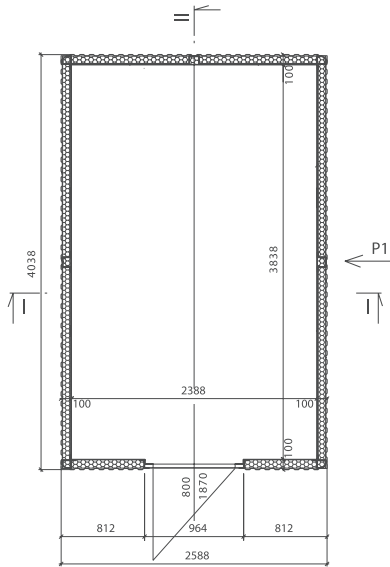
The container is of a sectional design, e.g. its separate parts can be assembled at the very site of the installation or, if need be, the assembly can be performed at the workshop. Fixing the container to a pre-arranged pedestal requires the use of a crane.

The container is not designed to support an antenna mast.

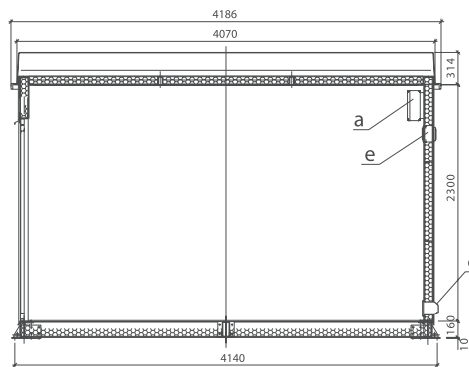


TECHNOLOGICAL CONTAINER LIGHT – 2,5x4 m

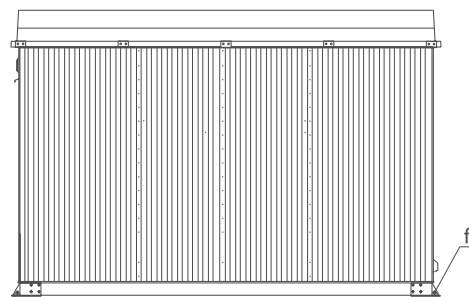
CONTAINER GROUND PLAN



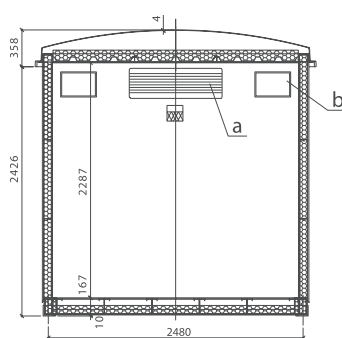
II-II CROSS-SECTION



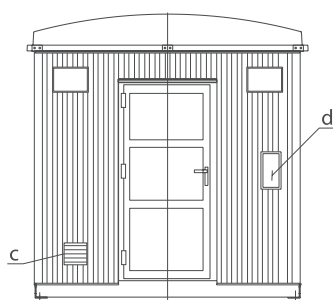
P1 VIEW



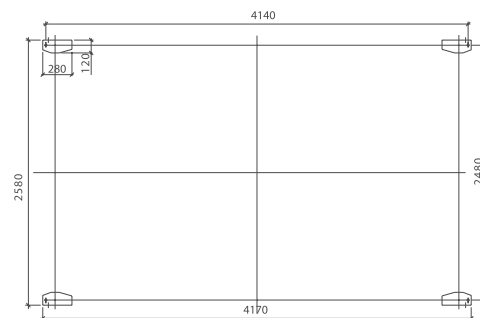
I-I CROSS-SECTION



P2 VIEW



ANCHORAGE DESIGN



LEGEND:

- a ... Internal A/C unit
- b ... Antenna cables entry
- c ... Air chamber
- d ... Socket box
- e ... Fan 48V
- f ... Lifting eye

DIMENSIONS OF CONTAINERS	2,5x3m	2,5x4m	2,5x6m
OUTSIDE DIMENSIONS (mm)			
Housing length	3038	4038	6038
Housing width	2588	2588	2588
Housing height	2426	2426	2426
Ridge height	2784	2784	2784
Length across footings	3170	4170	6170
Roof width	2780	2780	2780
WEIGHT (kg)	960	1190	1850

Due to continuous innovations TERMS a.s. reserves the right to make changes without any prior notification.